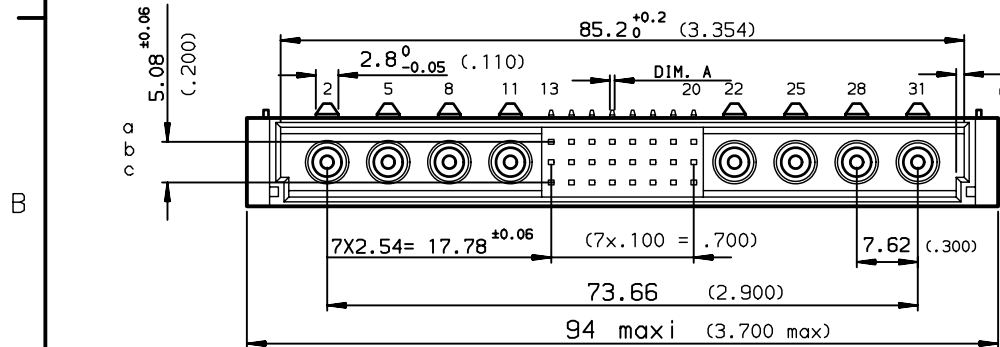
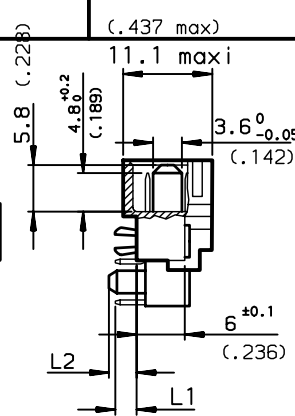
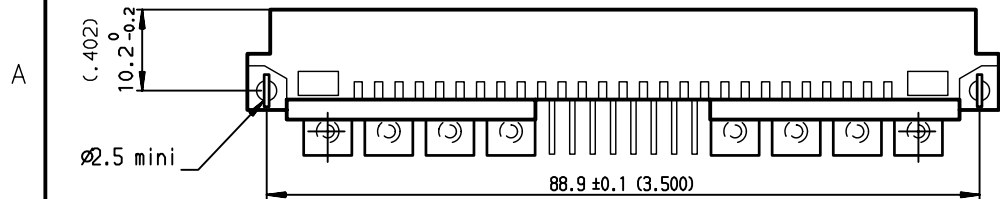
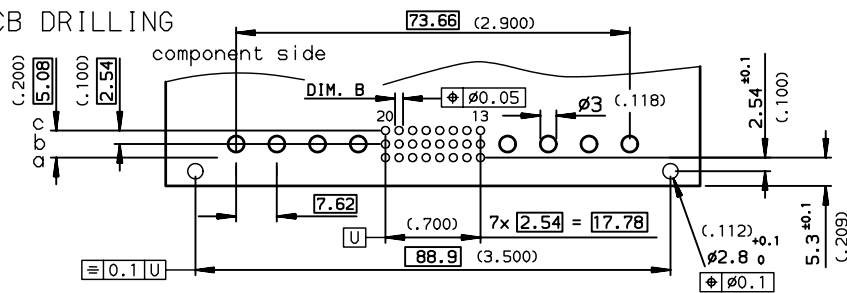


DIMENSIONS mm (inches)



PART NUMBER	8609	GP	5
PIN OUT	rows a-b-c: 3-24, 4-16		
NUMBER OF CONTACTS	13/23		
TERMINATION	L = 2.75 ±0.15 (0.108) A = ∅0.6 ⁰ -0.08 B = ∅.08 ⁰ +0.3		
OPTIONS	no option: 7, with harpoons: H		
PERFORMANCE CLASS	DIN 41612 class 2: 5, DIN 41612 class 1: 5		
TERMINATION TYPE	TIN LEAD: 000E1, LEAD FREE: E1LF		

PCB DRILLING



GENERAL CHARACTERISTICS AND ROHS INFORMATIONS:

SEE DRAWING C-8609-0000A

European Views

www.fciconnect.com		surface ISO 1302 ✓	tolerance std ISO 406 ISO 1101	projection mm
TOLERANCES UNLESS OTHERWISE SPECIFIED				
Dr	TARON	1997/04/14	0.X ±0.1	size A3
Eng	TARON	1997/04/14	0.XX ±0.1	Scale 1.5
Chr	LEGARE	1997/04/14	0.XX* ±2*	ECN LS06-0095
Appr	LEGARE	1997/04/14	0.XXX ±0.1	Product family DIN 8609
FCI		RIGHT ANGLE MALE - STYLE M		Spec ref -
title		with power pins fitted		Rev. D
catalog no		C-8609-0582		CUSTOMER sheet 1 of 1

rev	ecn no	dr	date
B	-	ROU	1997/09/12
C	LS05-001	JTA	2005/03/03
D	LS06-0095	LGO	2006/07/13
-	-	-	-
-	-	-	-
-	-	-	-